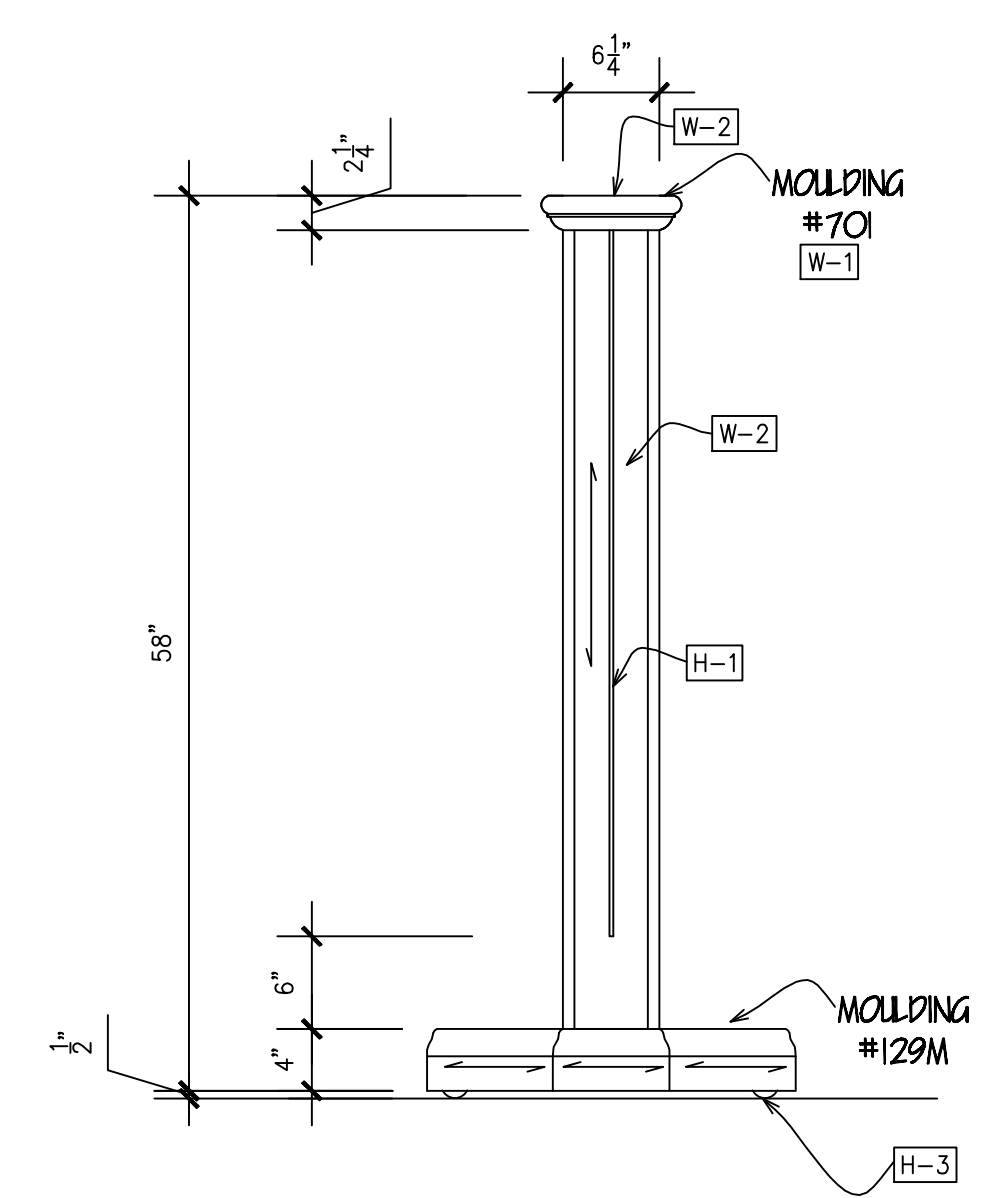
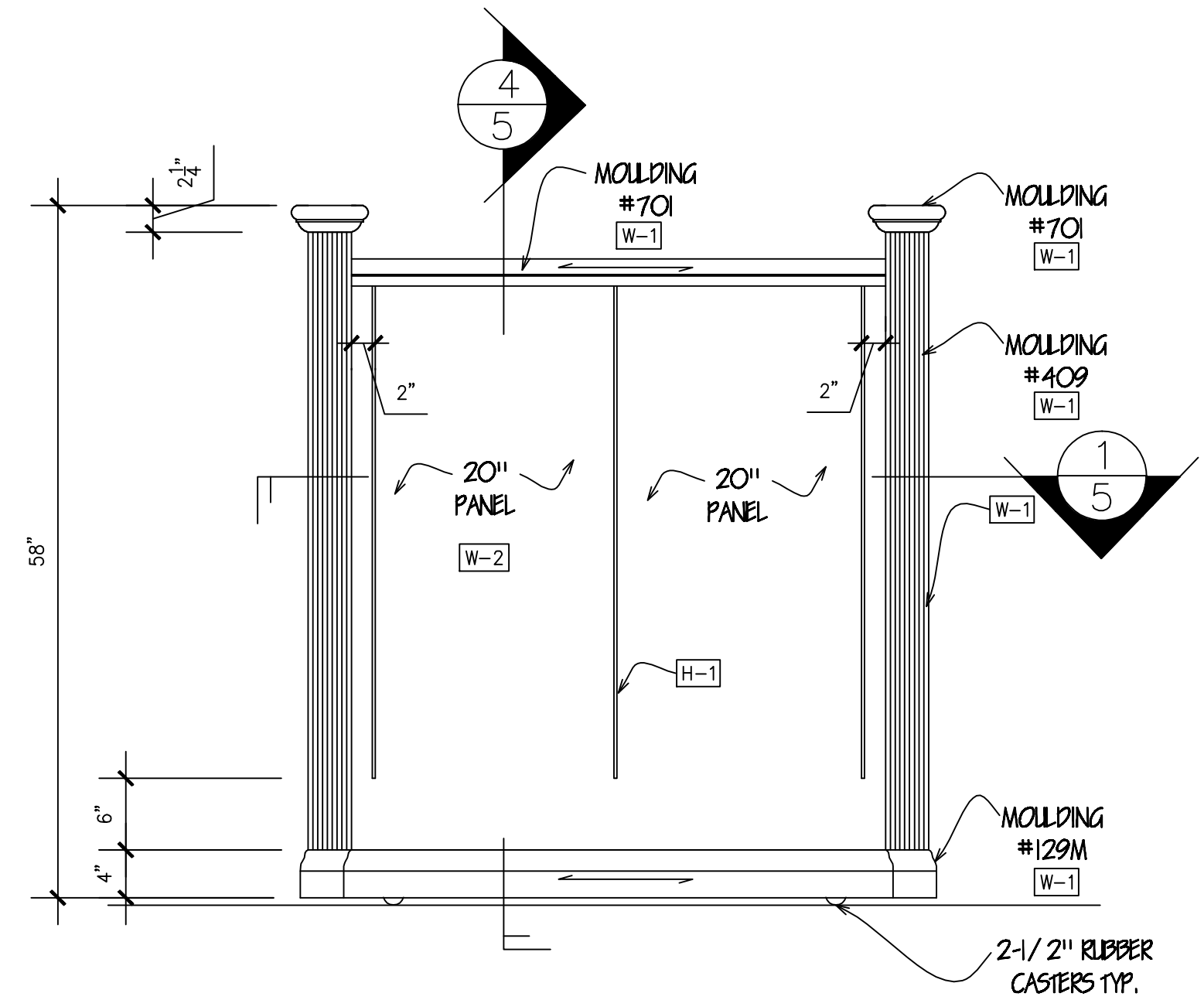


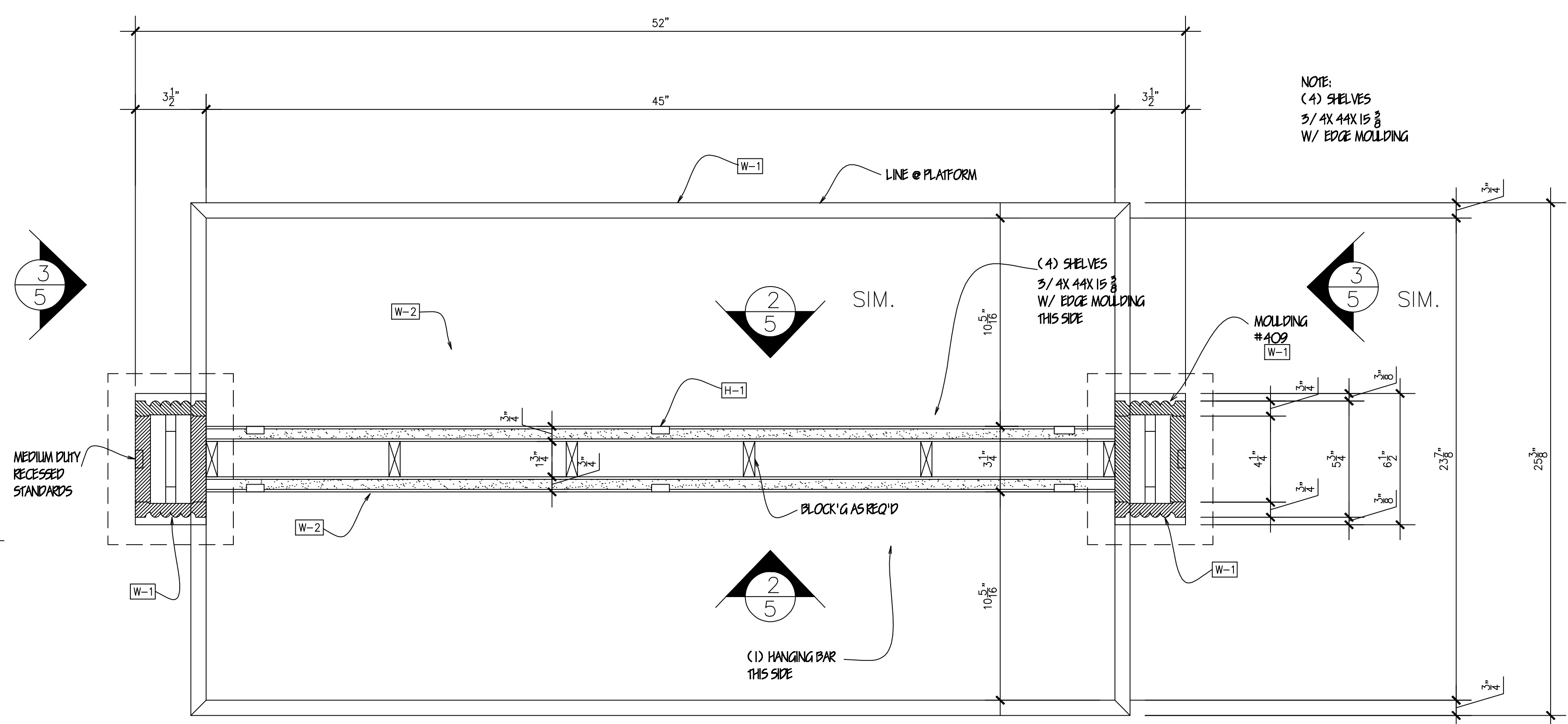
4  
5 VERTICAL SECTION  
SCALE : 3" = 1'-0"



2  
5 ELEVATION  
SCALE : 1" = 1'-0"



3  
5 ELEVATION  
SCALE : 1" = 1'-0"



1  
5 PLAN SECTION @ MERCHANDISING RACK #9  
SCALE : 3" = 1'-0"

FINISH SCHEDULE  
EXPOSED SURFACES

W-1	SOLID CHERRY TO MATCH APPROVED SAMPLE
W-2	CHERRY VENEER TO MATCH APPROVED SAMPLE

FINISH
SUBSTRATE

HARDWARE SCHEDULE

H-1	STANDARDS- KV # 83
H-2	BRACKETS - K & V # 183-14"
H-3	CASTERS - PACER 60

EXCLUSIONS

GENERAL NOTES:  
\*ALL WOOD MOULDINGS & LEGS TO BE ADAMS WOOD PRODUCTS.

REV#	REVISED AS PER NOTED	DATE	IN
NO.	REVISION	DATE	IN

**YOUR NAME**

JOB NAME:  
MANASQUAN GOLF PROSHOP  
BRIELLE, NEW JERSEY

ARCHITECT: DESIGN MASTERS, INC.

CONTRACTOR: KLAЕ CONSTRUCTION

DRAWING TITLE:

MERCHANDISING RACK DETAILS #9

SCALE AS NOTED	DRAWN BY JO	APP'D. BY
DATE 11-19-02	JOB # E02-330-3	DRAWING # 5