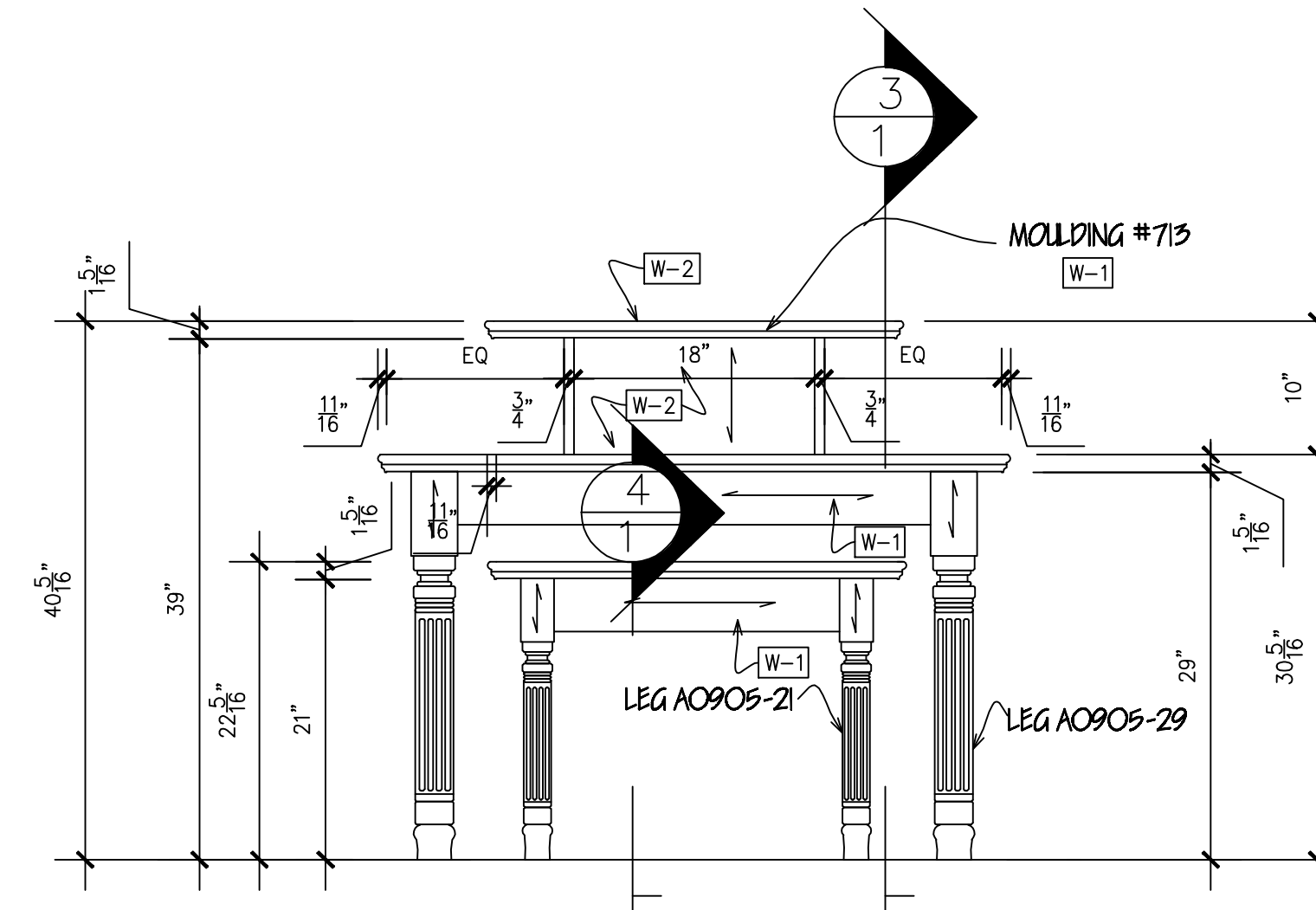
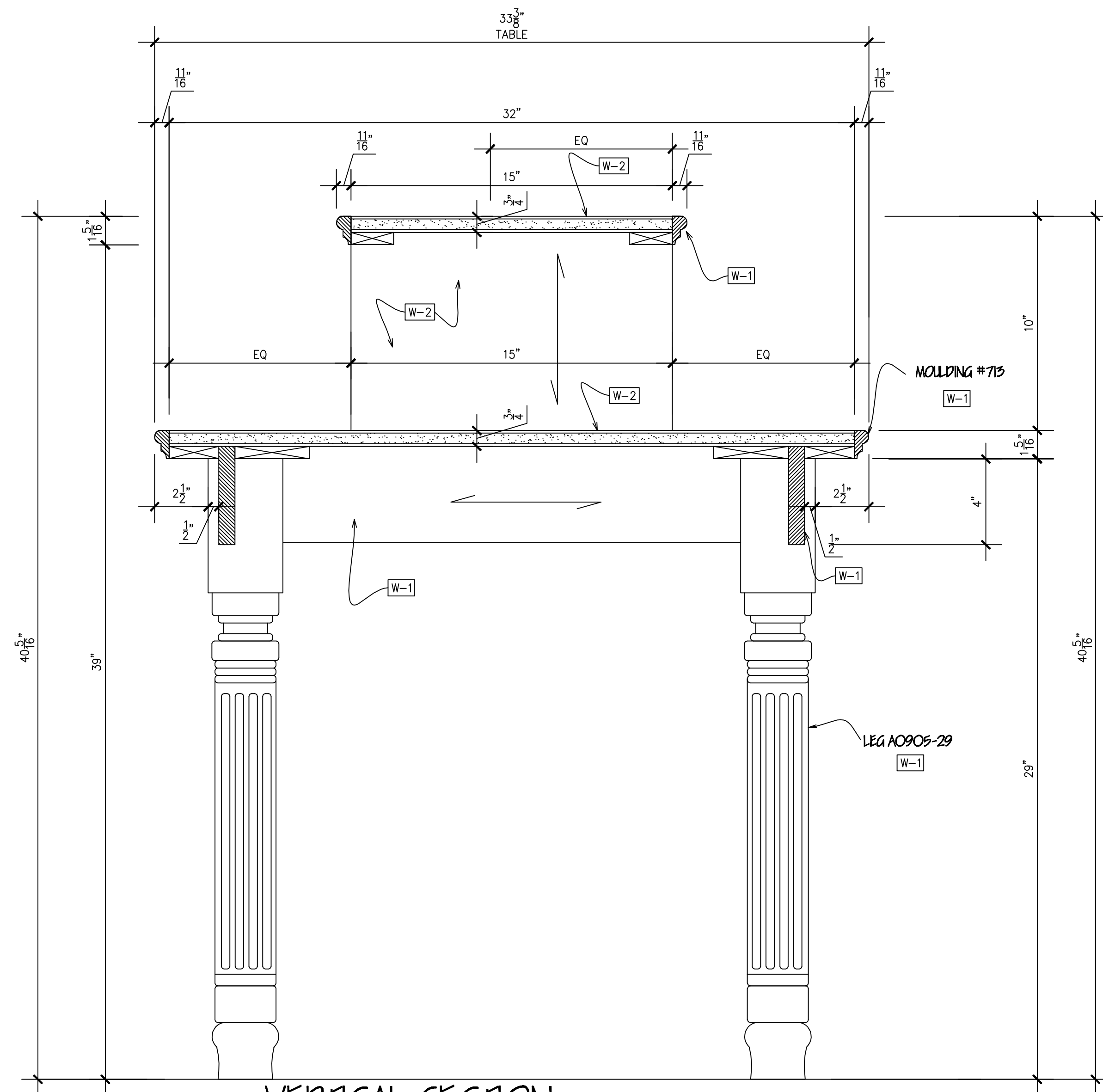


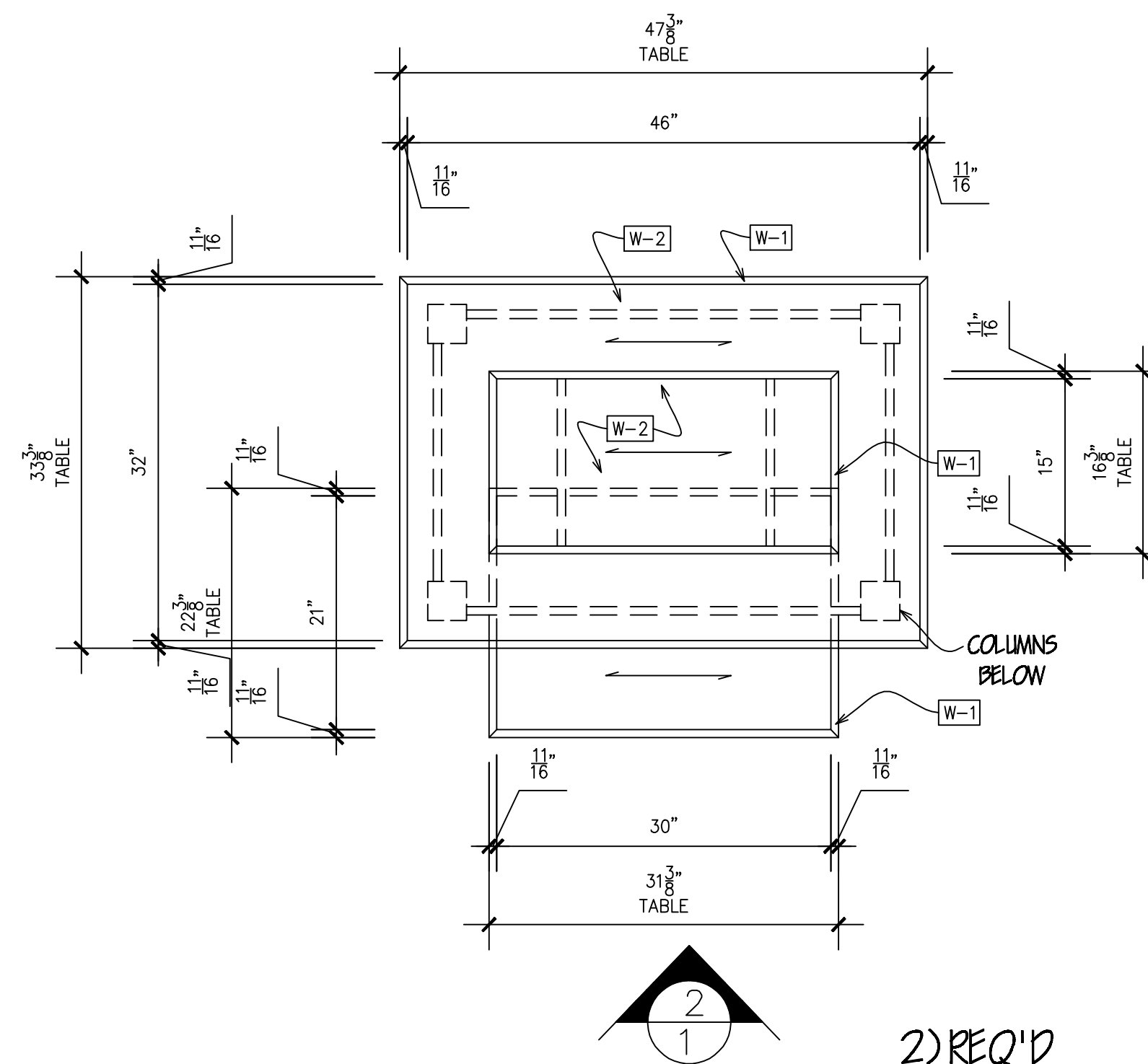
4  
1 VERTICAL SECTION  
SCALE : 3"=1'-0"



2  
1 ELEVATION  
SCALE : 1"=1'-0"



3  
1 VERTICAL SECTION  
SCALE : 3"=1'-0"



2  
1 PLAN @ TABLE UNIT #7  
SCALE : 1"=1'-0"

FINISH SCHEDULE			
EXPOSED SURFACES			
W-1	SOLID CHERRY TO MATCH APPROVED SAMPLE		
W-2	CHERRY VENEER TO MATCH APPROVED SAMPLE		
FINISH			
SUBSTRATE			
HARDWARE SCHEDULE			
EXCLUSIONS			
GENERAL NOTES:			
*ALL WOOD MOULDINGS & LEGS TO BE ADAMS WOOD PRODUCTS.			
REV 1	REVISED AS PER NOTED	12/23/02	
NO.	REVISION	DATE	IN
<b>YOUR NAME</b>			
JOB NAME:			
MANASQUAN GOLF PROSHOP BRIELLE, NEW JERSEY			
ARCHITECT: DESIGN MASTERS, INC.			
CONTRACTOR: KLAЕ CONSTRUCTION			
DRAWING TITLE:			
#7 TABLE UNIT DETAILS			
SCALE AS NOTED	DRAWN BY JO	APP'D. BY	
DATE 11-19-02	JOB # E02-330-3	DRAWING # 1	