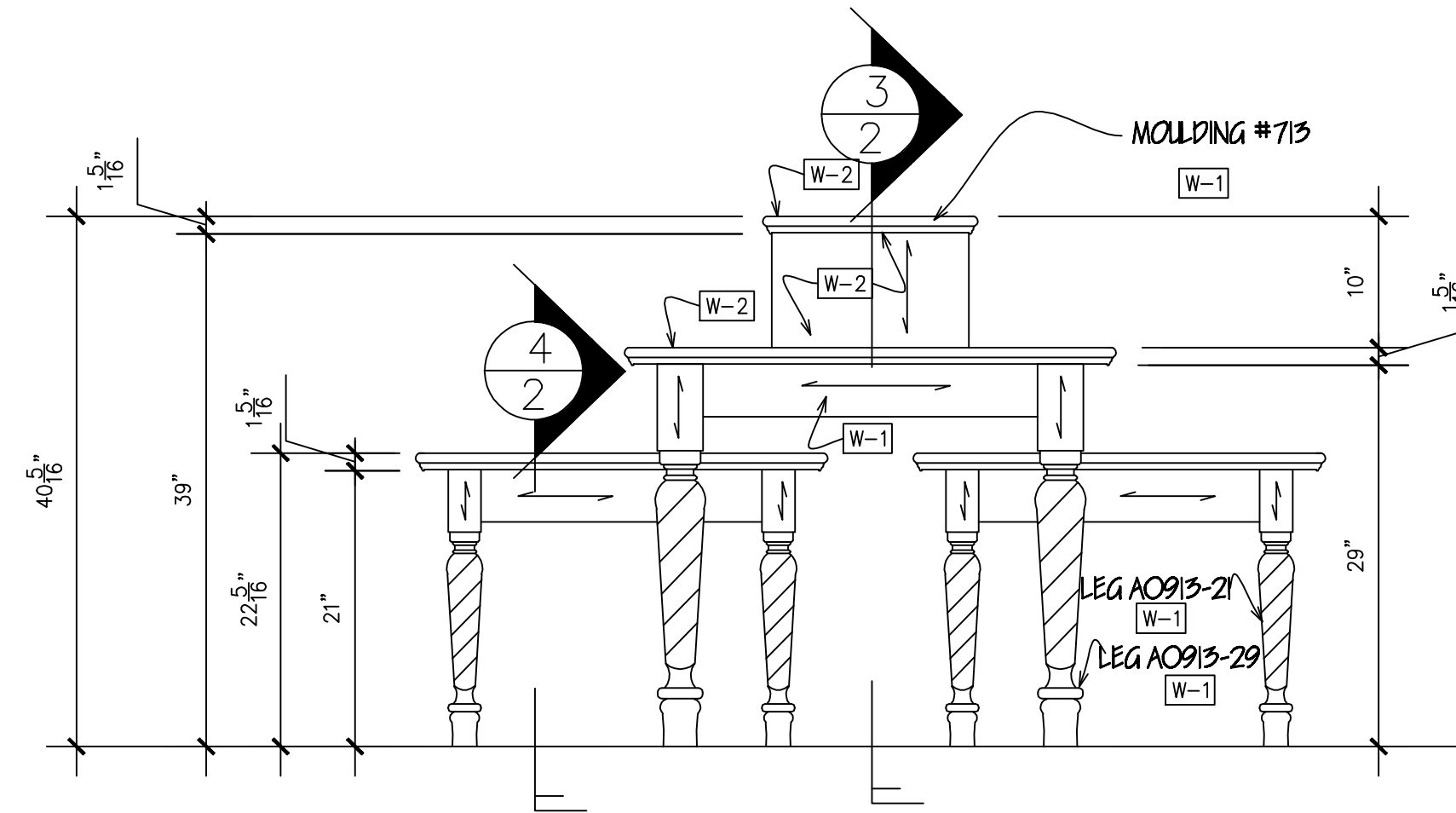


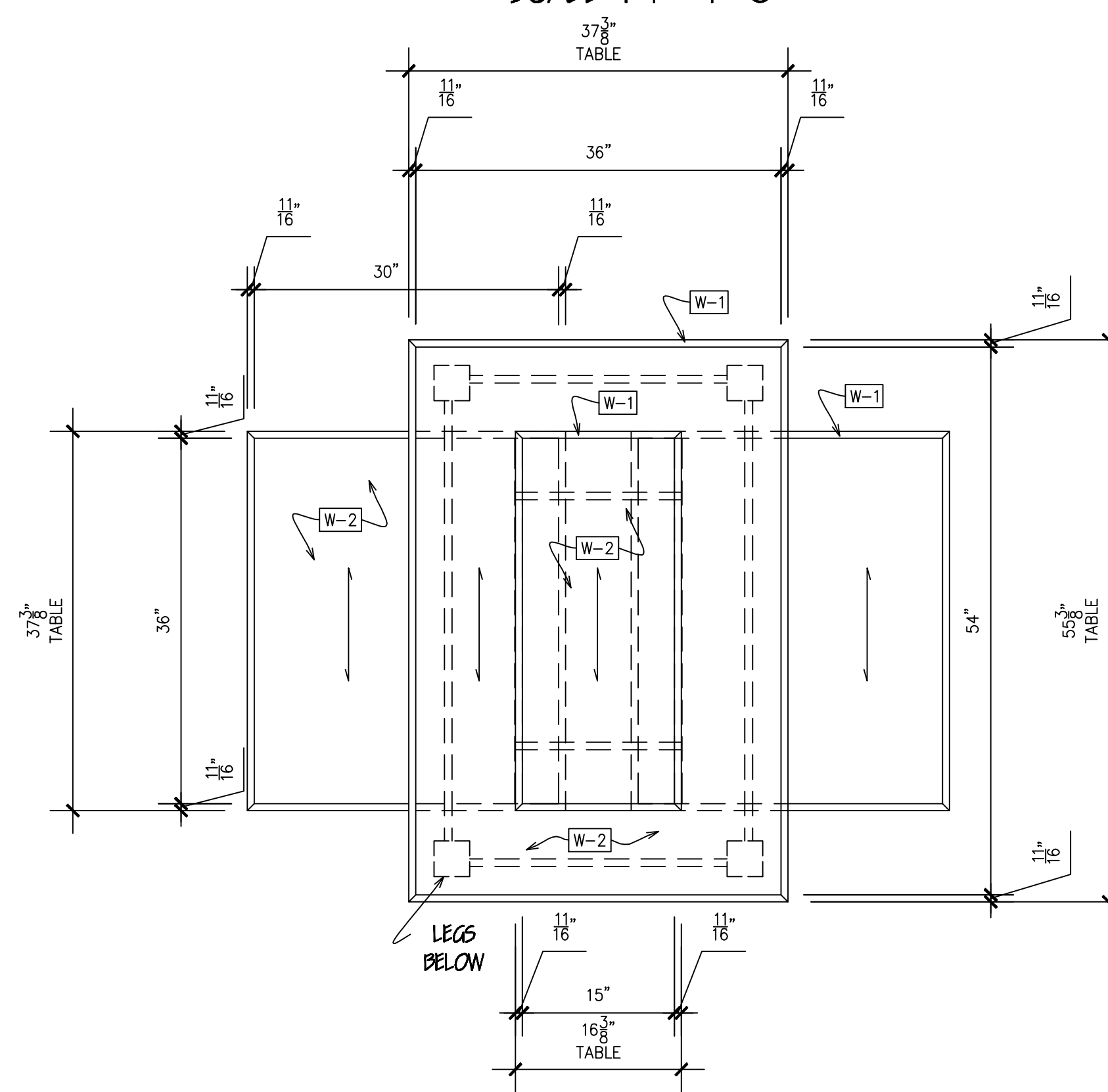
4
2 VERTICAL SECTION

SCALE : 3/4"=1'-0"



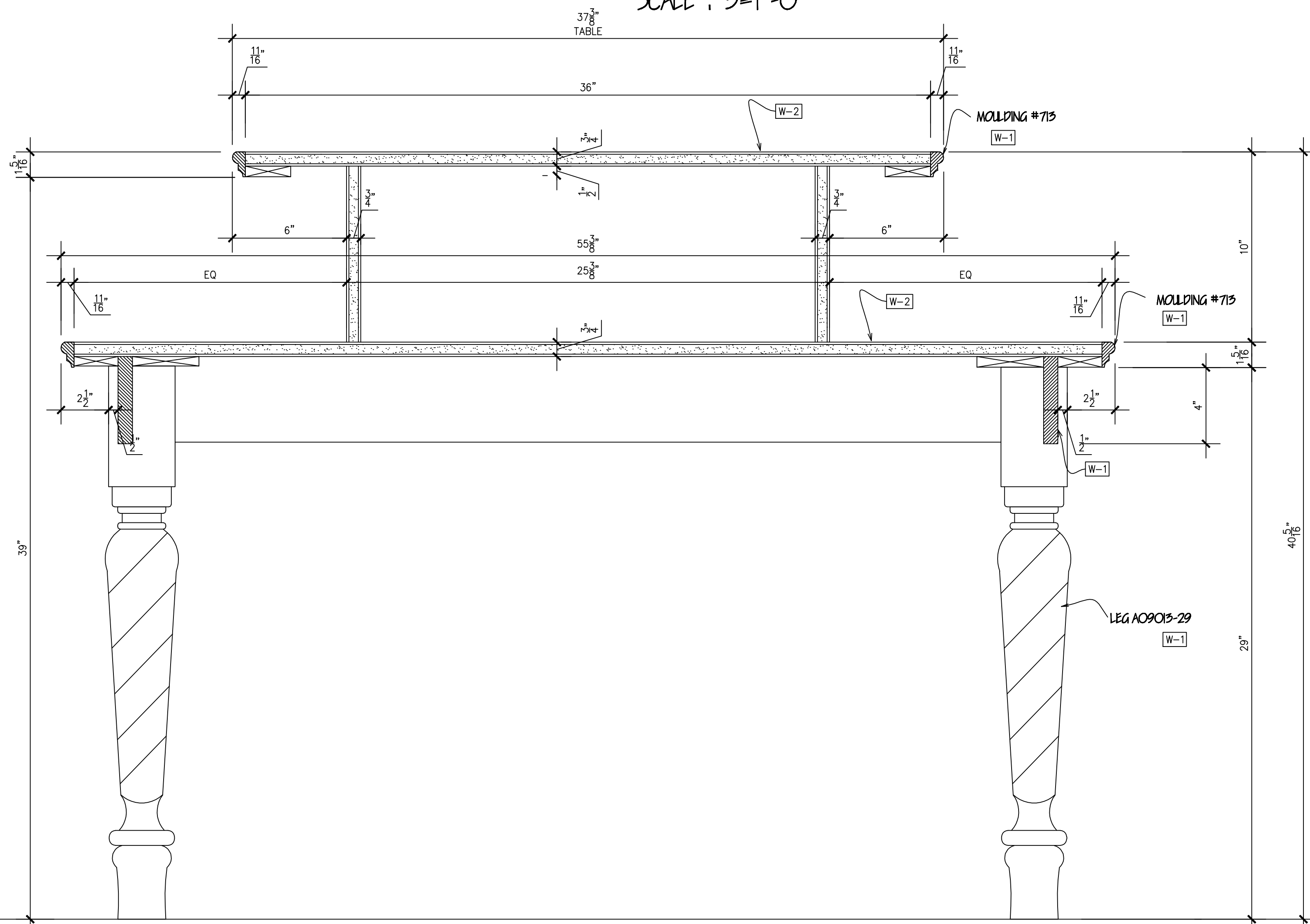
2
2 ELEVATION

SCALE : 1/4"=1'-0"



1
2 PLAN @ TABLE UNIT #10

SCALE : 1/4"=1'-0"



3
2 VERTICAL SECTION

SCALE : 3/4"=1'-0"

FINISH SCHEDULE
EXPOSED SURFACES

- W-1 SOLID CHERRY TO MATCH APPROVED SAMPLE
- W-2 CHERRY VENEER TO MATCH APPROVED SAMPLE

FINISH

SUBSTRATE

HARDWARE SCHEDULE

EXCLUSIONS

GENERAL NOTES:

*ALL WOOD MOULDINGS & LEGS TO BE ADAMS WOOD PRODUCTS.

REV	AS PER NOTED	12/23/02	
NO.	REVISION	DATE	IN

YOUR NAME

JOB NAME:
MANASQUAN
GOLF PROSHOP
BRIELLE, NEW JERSEY

ARCHITECT: DESIGN MASTERS, INC.
CONTRACTOR: KLAЕ CONSTRUCTION

DRAWING TITLE:
#10 TABLE UNIT DETAILS

SCALE	DRAWN BY	APP'D. BY
AS NOTED	JO	
DATE	JOB #	DRAWING #
11-19-02	E02-330-3	2